

GENERAL DIMENSIONS FOR
FILTER CAKE DUMPSTER

DUMPSTER FOR 470MM PRESS

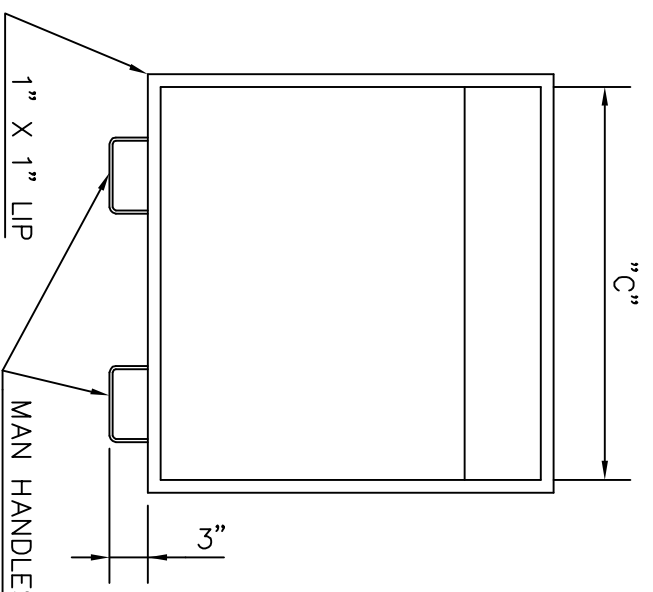
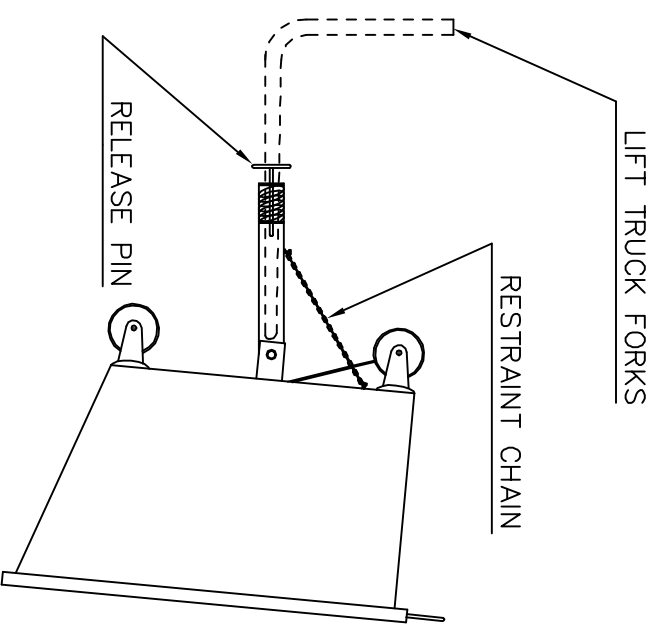
PRESS SIZE CU/FT	"A"	"B"	"C"	"D"
.6	30"	24"	20"	N/A ONE FORK
1	30"	24"	25"	N/A ONE FORK
1.5	30"	24"	31"	N/A ONE FORK
2	30"	24"	38"	5"
2.5	30"	24"	45"	15"
3	30"	24"	52"	19"
3.5	30"	24"	58"	19"
4	30"	24"	65"	19"
5	30"	24"	79"	19"

DUMPSTER FOR 630MM PRESS

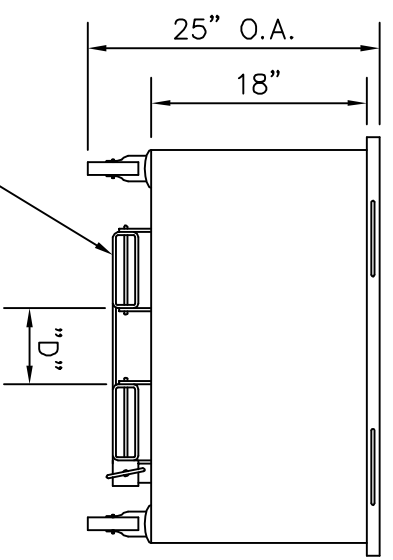
PRESS SIZE CU/FT	"A"	"B"	"C"	"D"
2	36"	30"	36"	3"
3	36"	30"	43"	10"
4	36"	30"	50"	17"
5	36"	30"	60"	19"
6	36"	30"	66"	19"
7	36"	30"	76"	19"
8	36"	30"	82"	19"
9	36"	30"	90"	19"
10	36"	30"	98"	19"
* 8	36"	30"	(2)41"	11"
* 9	36"	30"	(2)45"	15"
* 10	36"	30"	(2)48"	18"

DUMPSTER FOR 800MM PRESS

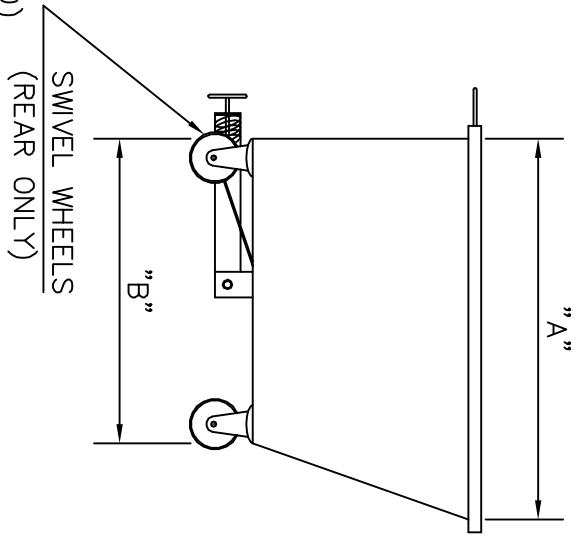
PRESS SIZE CU/FT	"A"	"B"	"C"	"D"
5	42"	36"	44"	11"
6	42"	36"	51"	18"
8	42"	36"	61"	19"
10	42"	36"	71"	19"
12	42"	36"	81"	19"
* 15	42"	36"	(2)47"	13"
* 20	42"	36"	(2)59"	19"
* 25	42"	36"	(2)71"	19"
* 30	42"	36"	(2)83"	19"
* 35	42"	36"	(2)95"	19"
* 40	42"	36"	(2)107"	19"



PLAN VIEW
SCALE: 3/4"=1'-0"



REAR VIEW
(2 TYP. UNLESS OTHERWISE NOTED)



SIDE VIEW
SCALE: 3/4"=1'-0"

REAR VIEW
SCALE: 3/4"=1'-0"

* NOTE
NOTED FILTER PRESSES REQUIRE
TWO(2) CAKE DUMPSTERS
REV 3/18/14